

ОКПД2 27.12.23

-1

-019. -96.3.

, 2019

1		
1	 3
2	 7
3	 7
4	, 8
5	 8
6	 9
7	 9
	10

1

-1

-019.

-96

96-1

1.1

, COS ,

1.1.1

-1

:

3*63 /600 10-400

3*125 /600 10-400

3*250 /600 10-400

1.1.2

(XP1, XP2, XP3,

) (): 63 3L+N+PE; 125A 3L+N+PE; 250A 3L+N+PE.

QF1-QF3,

1- 3.

~220 , 50

(XS1, XS2, XS3,

)

(): 63 3L+N+PE; 125A 3L+N+PE; 250A 3L+N+PE.

1.

1

63	PCE 63 3P+N+E,	3
63	PCE 63 3P+N+E,	XS3
125	PCE 125 3P+N+E,	2
125	PCE 125 3P+N+E,	XS2
250	DS2 250A 3PH+N+E (ISV) 30°,	1
250	DS2 250A 3PH+N+E (ISV) 30°,	XS1

1.2

2.

2

1		-16.8.4-0 2 (1600*800*400)	1
2		NI cRIO-9040	1
3		NI 9222	2
4		NI 9375	1
5		51-35 1-341110-63 -750- 690AC- 3-	1
6		51-35 2-341110-125 - 1000-690AC- 3-	1
7		51-35 2-341110-250 - 1500-690AC- 3-	1

8		-4160 -63 -220AC- 4- -	1
9		-5100-125 -220AC- 4- -	1
10		-7100-250 -220AC- 4- -	1
11		250 /380-400V/3P+N+E/IP67	1
12		125A/400V/3P+N+E/IP67	1
13		63A/400V/3P+N+E/IP67	1
14		250 /380-400V3P+N+E/IP67	1
15		125A/400V/3P+N+E/IP67	1
16		63A/400V/3P+N+E/IP67	1
17		EDR-120-24, 24 ,5 ,120	1
18		MDR-60-24, 24B,2.5A,60	1
19		MDR-60-24, 24B,2.5A,60	1
20		EDR-120-24, 24 ,5 ,120	1
21		TSM-1012 12 in Touch Screen Monitor	1
22	63	LT 100-S/SP96	3
23	125	LT 200-S/SP48	3
24	250	LT 300-S/SP49	3

25			1
26			1

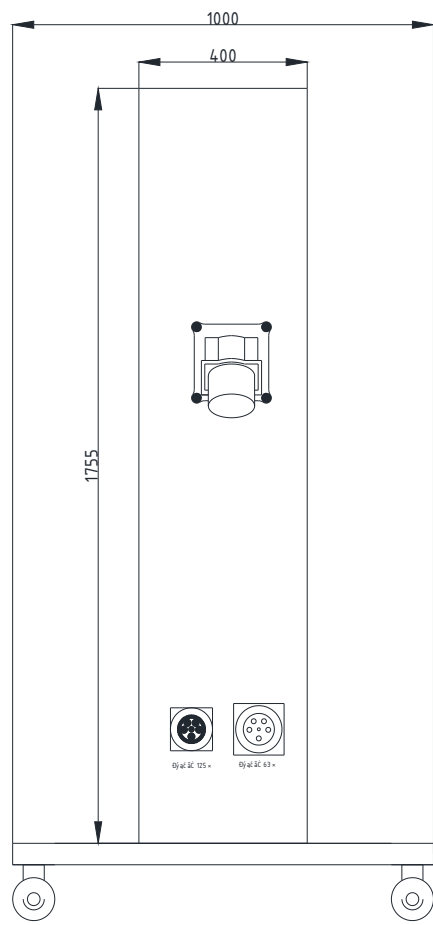
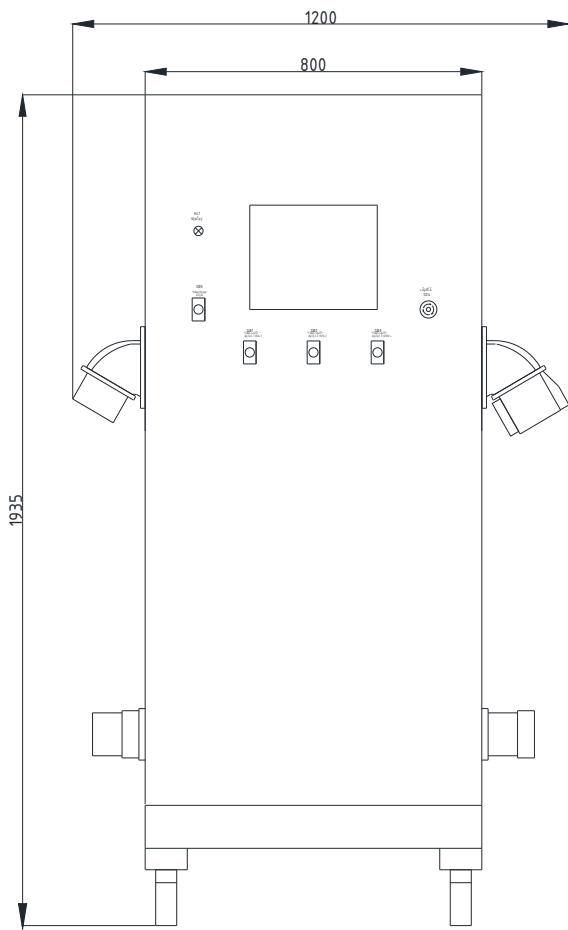
1.3

-1.

- , - 1935;
- , - 1200;
- , - 1000.

-1

1



1

1.4

-1

+10 +40

1.5

-1

23

30631-99.

1.6

-1,

14254-2015 – IP54.

1.7

1.8

-1

0I

12.2.007.0-75 (

2.

1.9

12.2.007.0-75 (3.

)



1.10

-1

12.1.004-91.

2

3

-1

:

- -1 - 1 ;

- - 1 ;

-019.

-96.3

- -1 .; ;
- -1 ;
- -1 .

4 ,

4.1 - -1

!

- : ;
- ; -1
- ; ,
- ; -1,

4.2 -1 - 12

, 18 , -1,
-1 6 «
»

5

-019. -96.4. .

-019. -96.3

6

_____ , _____

_____ , _____

7

- -1 , ;

- -1 ;

- , ;

- .

ОДНОЛИНЕЙНАЯ СХЕМА

